



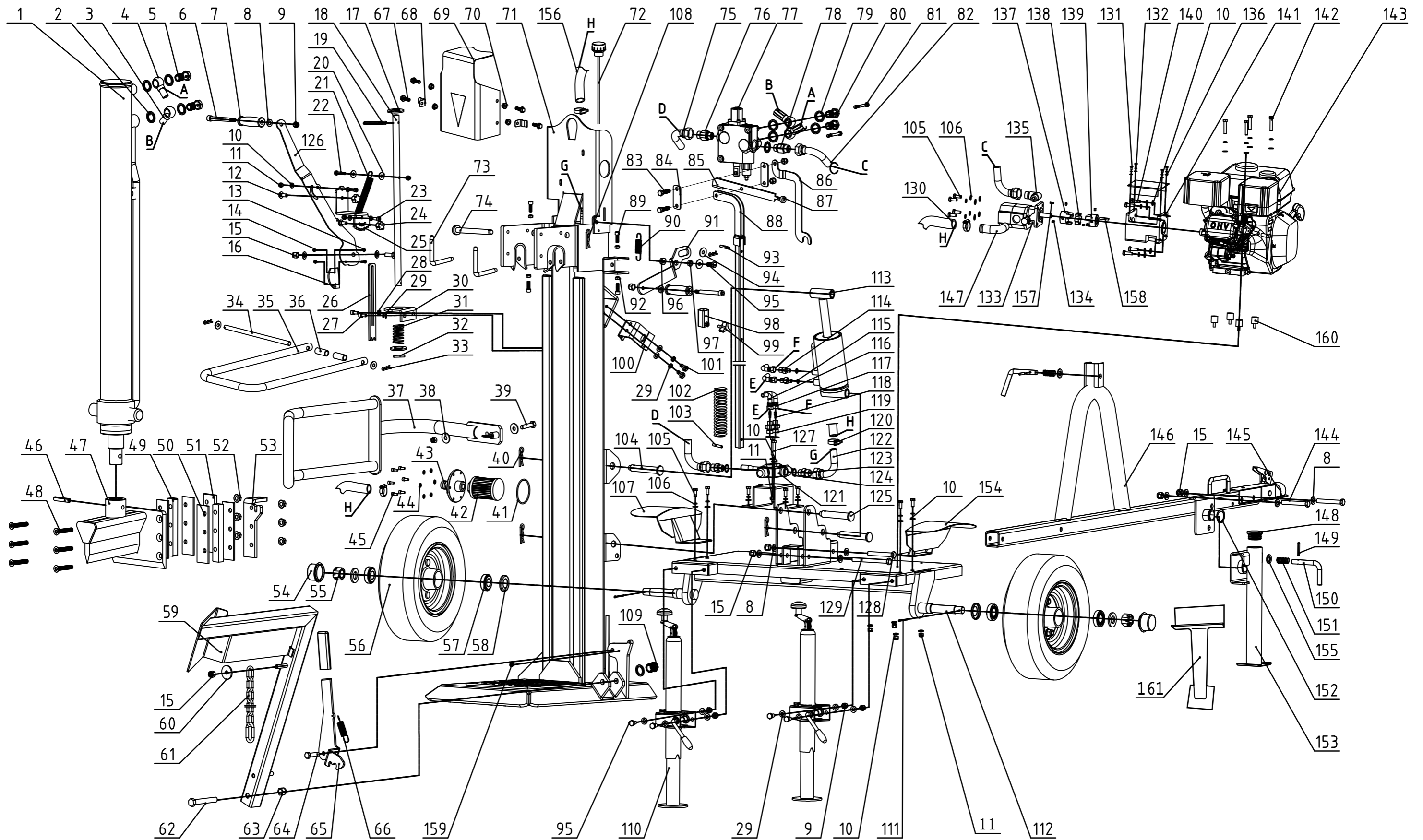
PARTS LIST BOOK



Log Splitter

GTL22000

www.gtmprofessional.com



PARTNR.	ARTICLE NUMBER	PART NAME	QTY
1	MZLS86578955001Z30	cylinder assy	1
2	MZLS204120220006	seal kit 22	5
3	MZLS16568200106	lower high pressure hose	1
4	MZLS16568200105	upper high pressure hose	1
5	MZLS16569955104	hose link	2
6	MZLS16569930101	bolt for handle	2
7	MZLS16569930102	grip	2
8	MZLS204140120003	flat washer 12	12
9	MZLS2032301003	locknut M10	9
10	MZLS204140080003	flat washer 8	28
11	MZLS2032300803	locknut M8	9
12	MZLS201080080203	bolt M8x20	2
13	MZLS202110050163	bolt M5x16	2
14	MZLS2032300503	locknut M5	2
15	MZLS2032301203	locknut M12	6
16	MZLS16569950105	friction pad	1
17	MZLS204140220003	flat washer 22	4
18	MZLS865699500111Z00	adjusting rod	1
19	MZLS2060700807001	cylindrical pin 8x70	1
20	MZLS204020080003	flat washer 8 (M)	2
21	MZLS16569900223	spring	1
22	MZLS20104008040388	bolt M8x40	1
23	MZLS202110080253	screw M8x25	2
24	MZLS16598500125	adjusting lever	2
25	MZLS865699501032Z10	log fixing claw	1
26	MZLS86569950104Z10	extended log fixing claw	1
27	MZLS202110100201	srew M10x20	2
28	MZLS204070100003	spring washer 10	2
29	MZLS204140100003	flat washer 10	10
30	MZLS86578900019Z10	cam support plate	1
31	MZLS16569900213	reset spring	1
32	MZLS2060305003501	cylindrical pin 5x35	1
33	MZLS16569600101	R-clip	3
34	MZLS86569900110Z00	limit bracket pin	1
35	MZLS86569900103Z10	limit bracket	1
36	MZLS16569900109	sleeve	2
37	MZLS8656990001631Z10	Guard bracket left	1
38	MZLS204020100003	flat washer 10 (M)	2
39	MZLS20104010040388	bolt M10x40	1
40	MZLS16568200104	R-clip	3
41	MZLS210020810310	O-ring D81*3.1	1
42	MZLS16569970103	oil filter	1
43	MZLS86569270011Z00	flange	1
44	MZLS204140060003	flat washer 6	6
45	MZLS202110060143	screw M6x14	6

PARTNR.	ARTICLE NUMBER	PART NAME	QTY
46	MZLS2060712007001	cylindrical pin 12x70	1
47	MZLS865699480111Z10	wedge	1
48	MZLS2060712007001	screw M12x70	6
49	MZLS16569948303	affle plate	2
50	MZLS16569948304	friction plate	4
51	MZLS86569948302Z10	left plate	1
52	MZLS2030801203	nut M12	6
53	MZLS86569948305Z10	right plate	1
54	MZLS165876001682	dust cover	2
55	MZLS2031102203	axle nut M22	2
56	MZLS16587600168C	wheel	2
57	MZLS209244464310	bearing L44643	4
58	MZLS165876001684	dust washer	2
59	MZLS865789000181Z10	log lift	1
60	MZLS204020120003	flat washer 12 (L)	1
61	MZLS16569900174	lift chain	1
62	MZLS16569900123A	bolt M16x90	1
63	MZLS2032301603	lockbut M16	1
64	MZLS20104012035388	bolt M12x35	1
65	MZLS86578900017Z10	retaining hook	1
66	MZLS16578900131	spring	1
67	MZLS201130080253	bolt M8x25	4
68	MZLS86569900116Z00	pin holder	2
69	MZLS86569900105Z10	upper guard	1
70	MZLS2030800803	nut M8	4
71	MZLS86578900011Z21	frame	1
72	MZLS86569900022	oil dipstick	1
73	MZLS86569900117Z00	cylinder pin	2
74	MZLS86578900129Z00	cyliner limit pin	1
75	MZLS16578965112	inlet hose	1
76	MZLS16578958109	nipple 1/2-M20*1.5	1
77	MZLS16569958103	pperating valve	1
78	MZLS16578958108	nipple M20*1.5-M22*1.5	1
79	MZLS204120200006	seal kit 20	5
80	MZLS16569958104	valve connector	2
81	MZLS20103008065388	bolt M8x65	2
82	MZLS16578900120	high pressure inlet hose	1
83	MZLS20104010035388	bolt M10x35	2
84	MZLS86569900122Z00	valve connecting plate	2
85	MZLS86569900204Z00	pressing plate	1
86	MZLS86569900111Z00	limit plate	1
87	MZLS86569900114Z00	round plate	1
88	MZLS86569900019Z00	pull rod	4
89	MZLS202110080253	screw M8x25	4
90	MZLS16569900104	spring	1

PARTNR.	ARTICLE NUMBER	PART NAME	QTY
91	MZLS86569940101Z10	right operation lever	1
92	MZLS2030300803	nut M8	4
93	MZLS2060706003501	cylindrical pin 6x35	1
94	MZLS204040100003	flat washer 10 (L)	2
95	MZLS20104010025388	bolt M10x25	5
96	MZLS2030801003	nut M10	1
97	MZLS16569900113	sleeve 2	1
98	MZLS86569900020Z10	adjusting sleeve	1
99	MZLS16598810106	knob	1
100	MZLS86578900117Z10	support plate 1	1
101	MZLS202110100201	bolt M10x20	2
102	MZLS16569900120	spring	1
103	MZLS2060700604001	syindrical pin 6x40	1
104	MZLS86578965120Z00	pin	1
105	MZLS20104008020388	bolt M8x20	12
106	MZLS204070080003	spring washer 8	22
107	MZLS86578900021Z10	left fender	1
108	MZLS16568200104	pin	2
109	MZLS16569900175	screwed plug M22x1.5	1
110	MZLS165638300031	adjustable leg	2
111	MZLS2060500405003	cotter pin 4x50	2
112	MZLS865789000101Z10	chassis	1
113	MZLS86578965010Z30	pivoting cylinder	1
114	MZLS16578965119	nipple M14*1.5-M10*1	2
115	MZLS204120100006	seal kit 10	2
116	MZLS16578965117	upper hose	1
117	MZLS16578965118	lower hose	1
118	MZLS16578965129	throttle valve core	2
119	MZLS16578965115	nipple G3/8-M14*1.5	2
120	MZLS214030180320	hose clamp 18-32	4
121	MZLS16578965201	valve	1
122	MZLS16578965116	elbow part	1
123	MZLS16578965114	nipple G3/8-M22*1.5	2
124	MZLS204123A80006	seal kit 3/8	4
125	MZLS86578965121Z00	pin 135	2
126	MZLS865699501021Z10	press lever	1
127	MZLS20103008065388	bolt M8x65	2
128	MZLS20103012090388	bolt M12x90	1
129	MZLS20103012130388	bolt M12x130	1
130	MZLS165789001421	suction hose	1
131	MZLS202010040083	screw M4x8	4
132	MZLS204070040003	spring washer 4	4
133	MZLS1107133	gear pump	1
134	MZLS202190060101	screw M6x8	4
135	MZLS16578926104	high pressure elbow part	1

PARTNR.	ARTICLE NUMBER	PART NAME	QTY
136	MZLS204140040003	flat washer 4	4
137	MZLS16559026020	coupler 20	1
138	MZLS16587600183	coupling rubber ring	1
139	MZLS16587600194	coupler 12.7	1
140	MZLS20104008025388	bolt M8x25	4
141	MZLS865590A26101Z00	coupler guard	1
142	MZLS20104008035388	bolt M8x35	4
143	MZLS13608000136	engine	1
144	MZLS20103012080388	bolt M12x80	2
145	MZLS16559240108	trailer coupling	1
146	MZLS86578910011Z10	tow bar	1
147	together with the pump	suction elbow part	1
148	MZLS12651530159	pipe plug	1
149	MZLS2060700604001	cylindrical pin 6x40	2
150	MZLS86591610108W01	locking pin	1
151	MZLS16591600125	compressed spring	1
152	MZLS205020340001	circlip A34	1
153	MZLS86578910012Z10	support leg	1
154	MZLS86578900021Z10	right fender	1
155	MZLS204140140003	flat washer 14	2
156	MZLS165789001431	oil return hose	1
157	MZLS3010563	flat key 3	1
158	MZLS03060075	flat key 5	1
159	MZLS202110060103	screw M6x10	1
160	MZLS12651560070	shock absorber damping block	4
161	MZLS66569910011	holder for moving the cylinder GTL14000 / GTL22000	1



www.gtmprofessional.com