

**verticuteerder - scarificateur
scarifier - vertikutierer
GTV500**

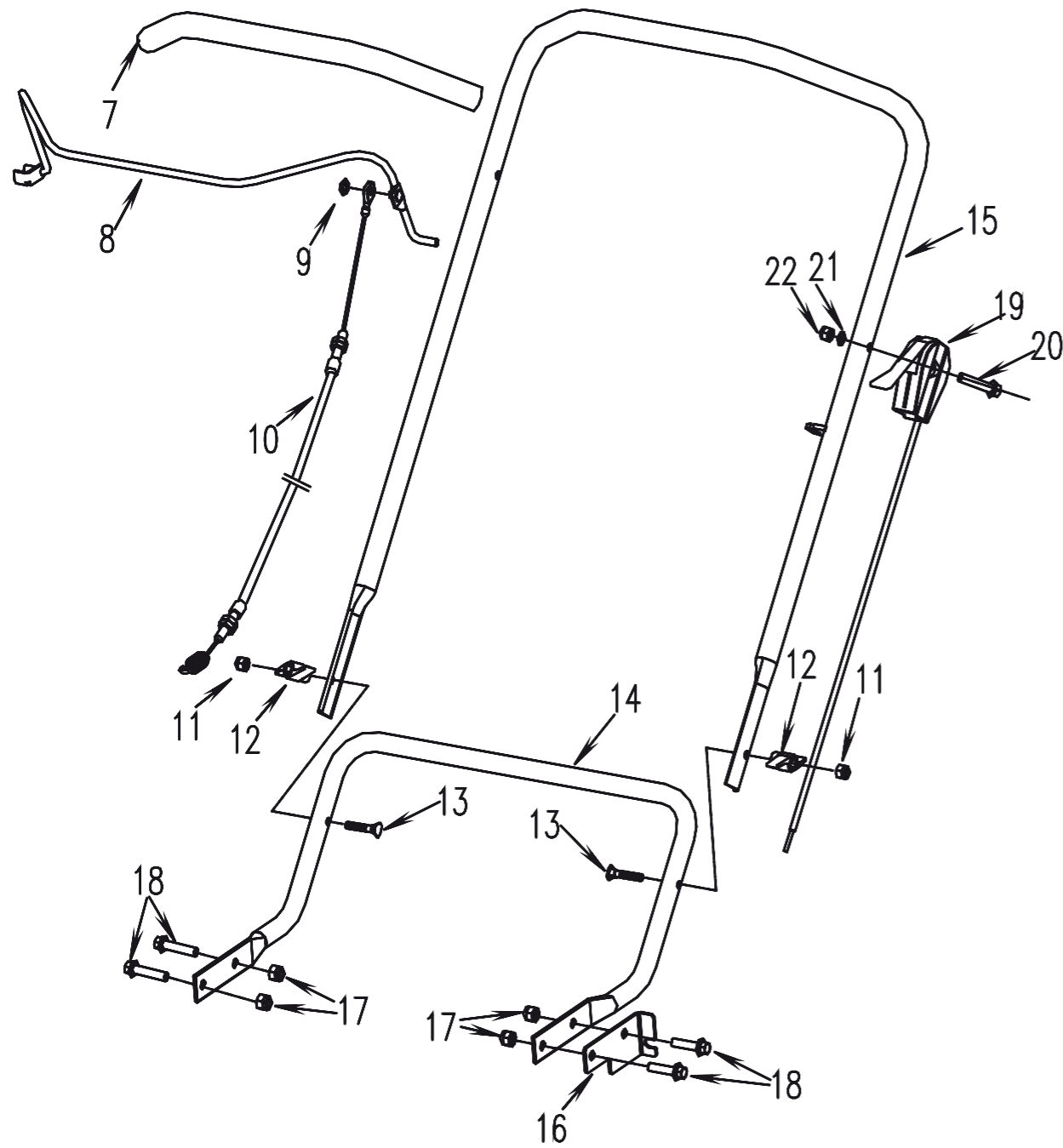


www.gtmprofessional.com

Contents

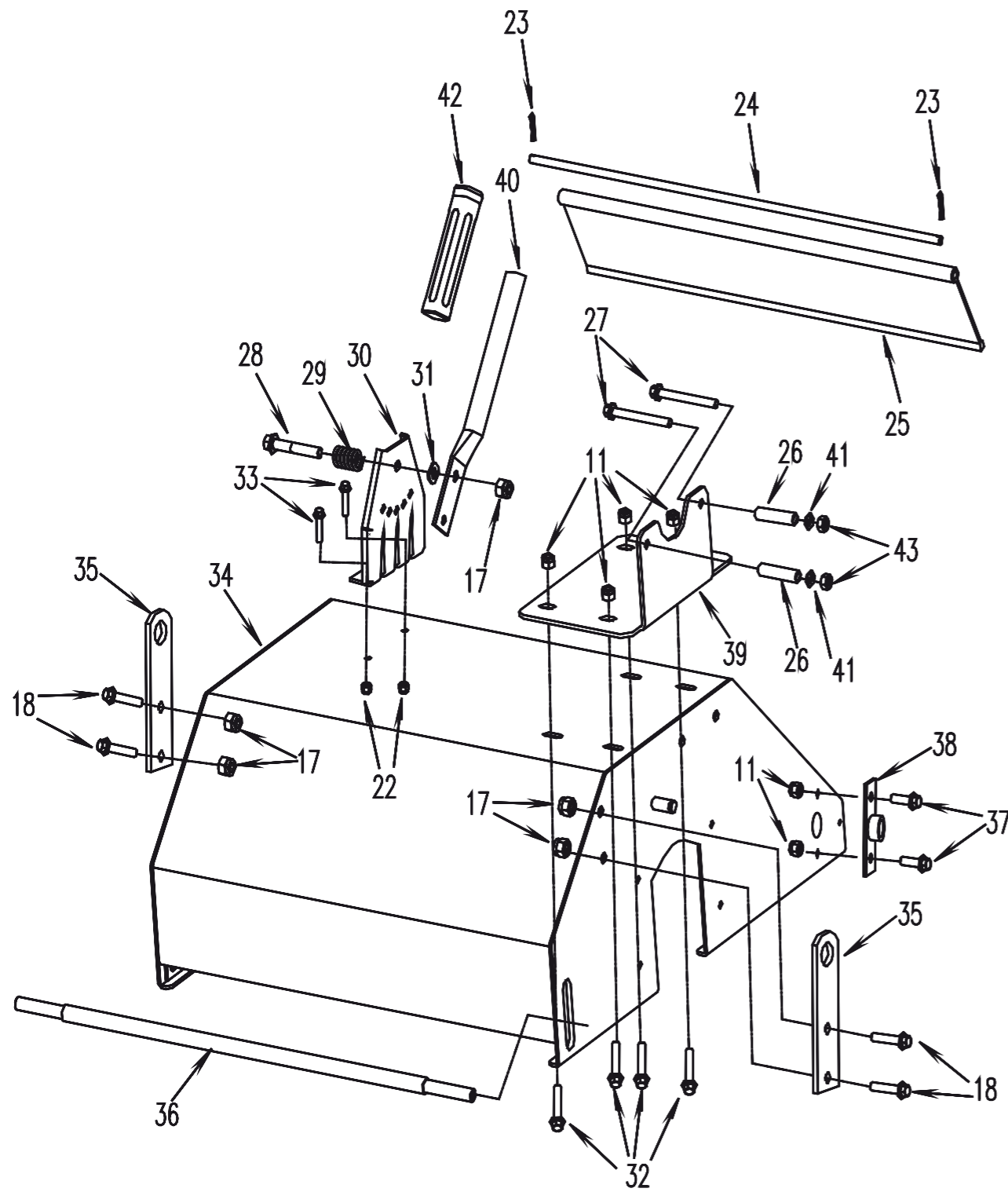
A.	Handlebar & console	4
B.	Housing assembly	6
C.	Drive assembly	8
D.	Blade assembly	10

A. Handlebar & console



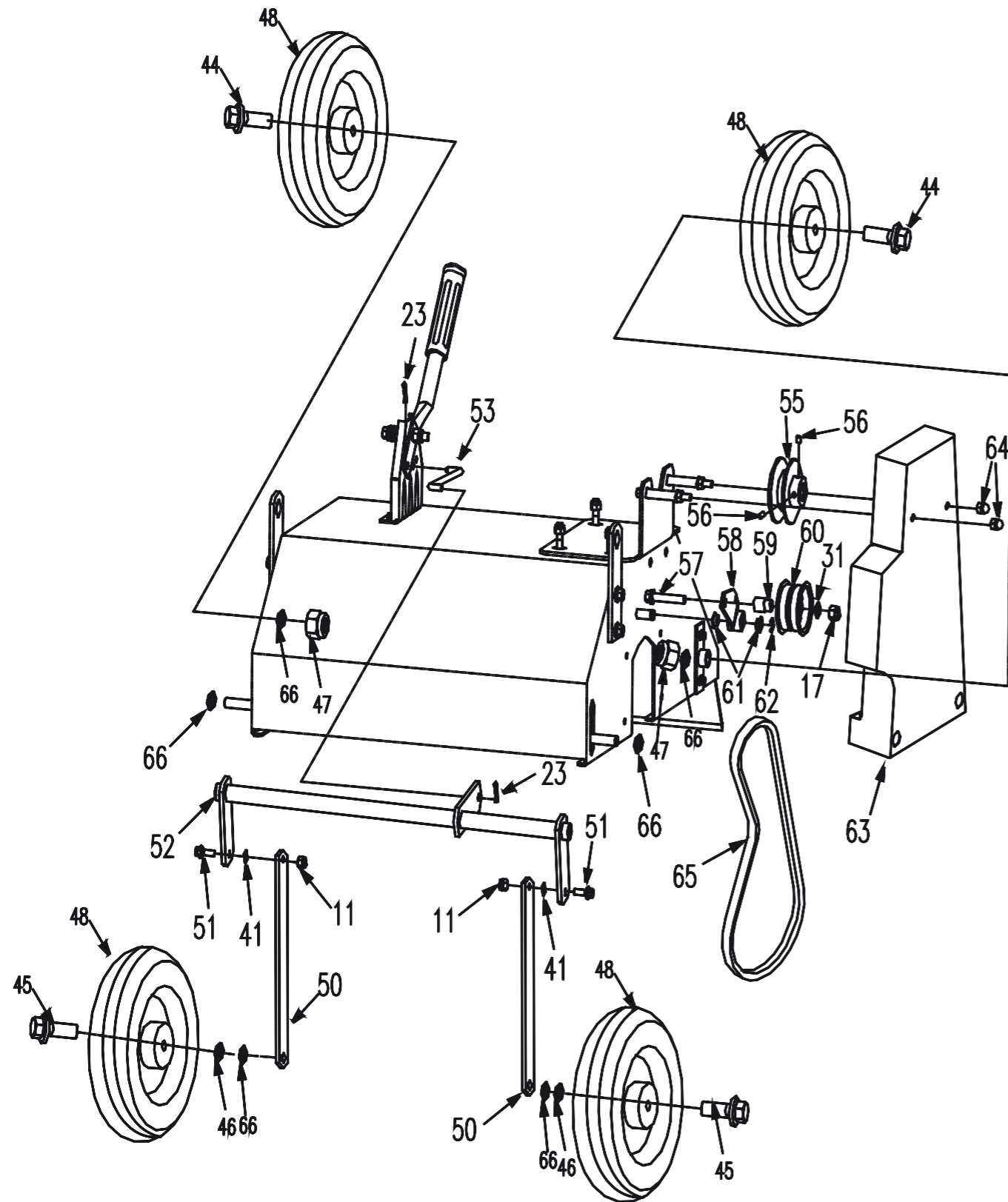
PARTNR.	ARTICLE NUMBER	PART NAME	QTY
7	MZK01035R204002	handle sheath	1
8	MZK01035R204120	drive clutch lever	1
9	MZK0103542902	star type lock 6	1
10	MZK01035R204020	cable unit	1
11	MZK01035B61828	nylon insert lock nut M8	16
12	MZK010351600506	knob	2
13	MZK010351810061	bolt	2
14	MZK01035R204003	lower handlebar	1
15	MZK01035R204110	upper handlebar	1
16	MZK01035R200005	fixed plate	1
17	MZK01035B618210	nut M10	10
18	MZK01035B57871025	bolt M10x25	8
19	MZK01035R204123	throttle control assembly	1
20	MZK01035B5787655	bolt M6x55	1
21	MZK01035B97.16	washer 6	1
22	MZK01035B61826	nylon insert lock nut M6	11

B. Housing assembly



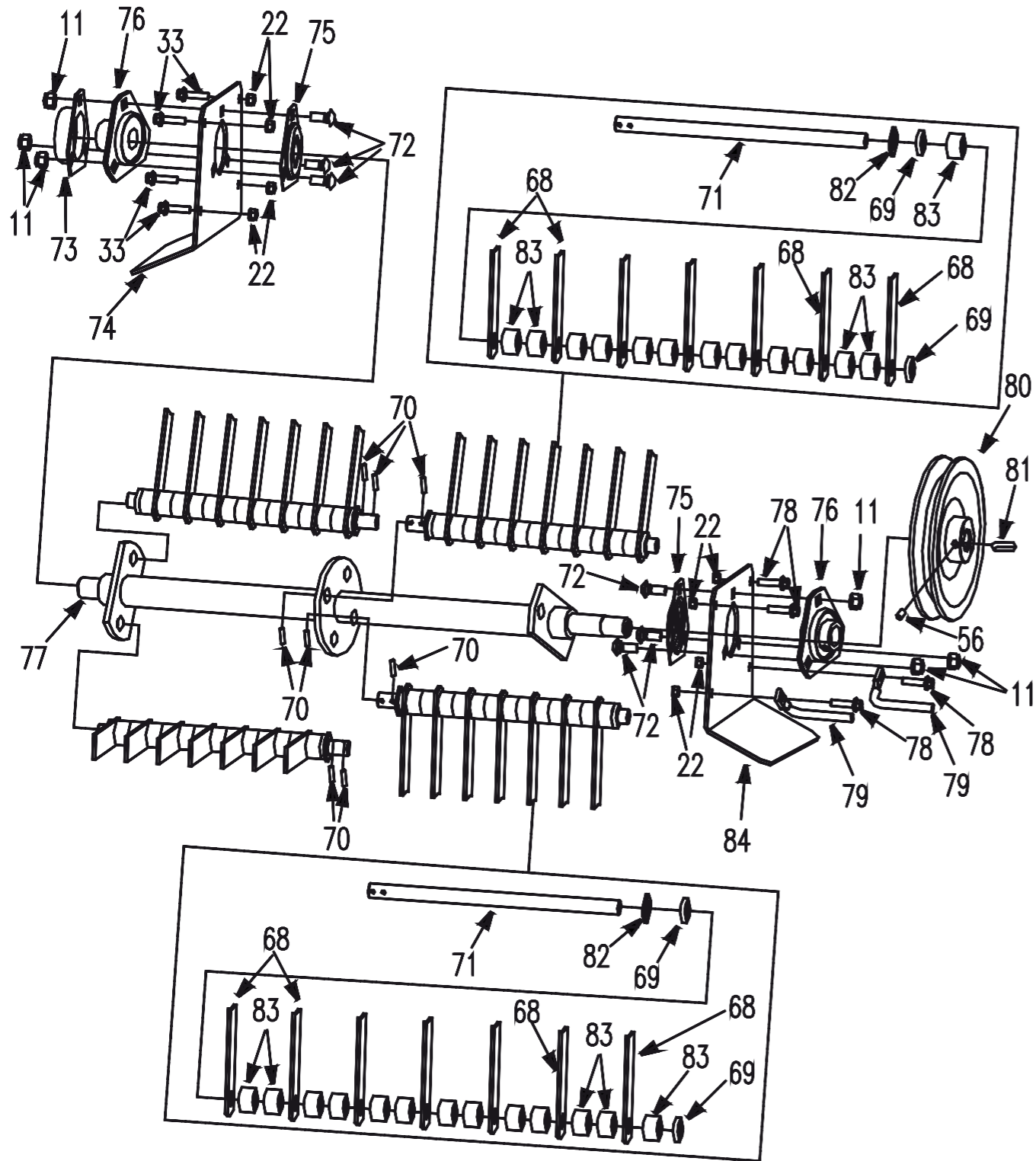
PARTNR.	ARTICLE NUMBER	PART NAME	QTY
11	MZK01035B61828	nylon insert lock nut M8	16
17	MZK01035B618210	nut M10	10
18	MZK01035B57871025	bolt M10×25	8
22	MZK01035B61826	nylon insert lock nut M6	11
23	MZK01035XSZ56117	hair pin	4
24	MZK01035R200007	rod, rear guard	1
25	MZK01035R200008	rear guard	1
26	MZK01035R200061	sleeve	2
27	MZK01035B5787875	bolt M8×75	2
28	MZK01035B57871060	bolt M10×60	1
29	MZK01035R200006	pressure spring	1
30	MZK01035R203003	height adjustment rack	1
31	MZK01035B97.110	washer 10	2
32	MZK01035B5787840	square neck bolt M8×40	4
33	MZK01035B5787616	bolt M6×16	6
34	MZK01035R201120	deck	1
35	MZK01035R200015	fixed plate	2
36	MZK01035R200013	front axle	1
37	MZK01035B5787820	bolt M8×20	2
38	MZK01035R2001020	reinforcing plate	1
39	MZK01035R200062	fixed plate	1
40	MZK01035R200041	handle	1
41	MZK01035B97.18	washer 8	4
42	MZK010353306005	handle grip	1
43	MZK01035B61708	locknut M8	2

C. Drive assembly



PARTNR.	ARTICLE NUMBER	PART NAME	QTY
11	MZK01035B61828	nylon insert lock nut M8mm	16
17	MZK01035B618210	nut M10	10
23	MZK01035XSZ56117	hair pin	4
31	MZK01035B97.110	washer 10	2
41	MZK01035B97.18	washer 8	4
44	MZK01035B578716900	bolt M16×90	2
45	MZK01035B578710200	bolt M10×20	2
46	MZK01035B95516	washer 16	2
47	MZK01035B618216	nut M16	2
48	MZK01035R200080	wheel	4
50	MZK01035R200001	adjustable plate	2
51	MZK01035B5787825	bolt M8×25	2
52	MZK01035R200030	connecting shaft	1
53	MZK01035R200012	connecting rod	1
55	MZK01035R200003	pulley	1
56	MZK01035B78610	screw M6×10	3
57	MZK01035B57871050	bolt M10×50	1
58	MZK01035R200071	tensioner arm bracket	1
59	MZK01035R200077	bush	1
60	MZK01035R200075	tensioner pulley	1
61	MZK01035R200076	flange bearing	2
62	MZK01035B8969	e-clip 9	1
63	MZK01035R200002A	belt cover	1
64	MZK01035B9238	nut M8	2
65	MZK01035R200004	v-belt	1
66	MZK01035B97.116	washer 16	6

D. Blade assembly



PARTNR.	ARTICLE NUMBER	PART NAME	QTY
11	MZK01035B61828	nylon insert lock nut M8	16
22	MZK01035B61826	nylon insert lock nut M6	11
33	MZK01035B5787616	bolt M6×16	6
56	MZK01035B78610	screw M6×10	3
68	MZK01035R203002L	blade	28
69	MZK01035R202005	small sleeve	8
70	MZK01035B879.1416	spring pin 4×16	8
71	MZK01035R202003	blade shaft	4
72	MZK01035B801820	bolt M8×20	6
73	MZK01035R202007	bearing cap	1
74	MZK01035R202006	right guard plate	1
75	MZK01035R202009	internal bearing cap	2
76	MZK01035SBPFT204	bearing housing	2
77	MZK01035R202010	main shaft	1
78	MZK01035B5787620	bolt M6×20	4
79	MZK01035R200010	guard rod	2
80	MZK01035R200009	pulley	1
81	MZK01035B1096C625	key 6×25	1
82	MZK01035B97.114	washer 14	2
83	MZK01035R203000	big sleeve	52
84	MZK01035R202008	left guard plate	1

GTM
PROFESSIONAL®

www.gtmprofessional.com