

GTM
PROFESSIONAL®

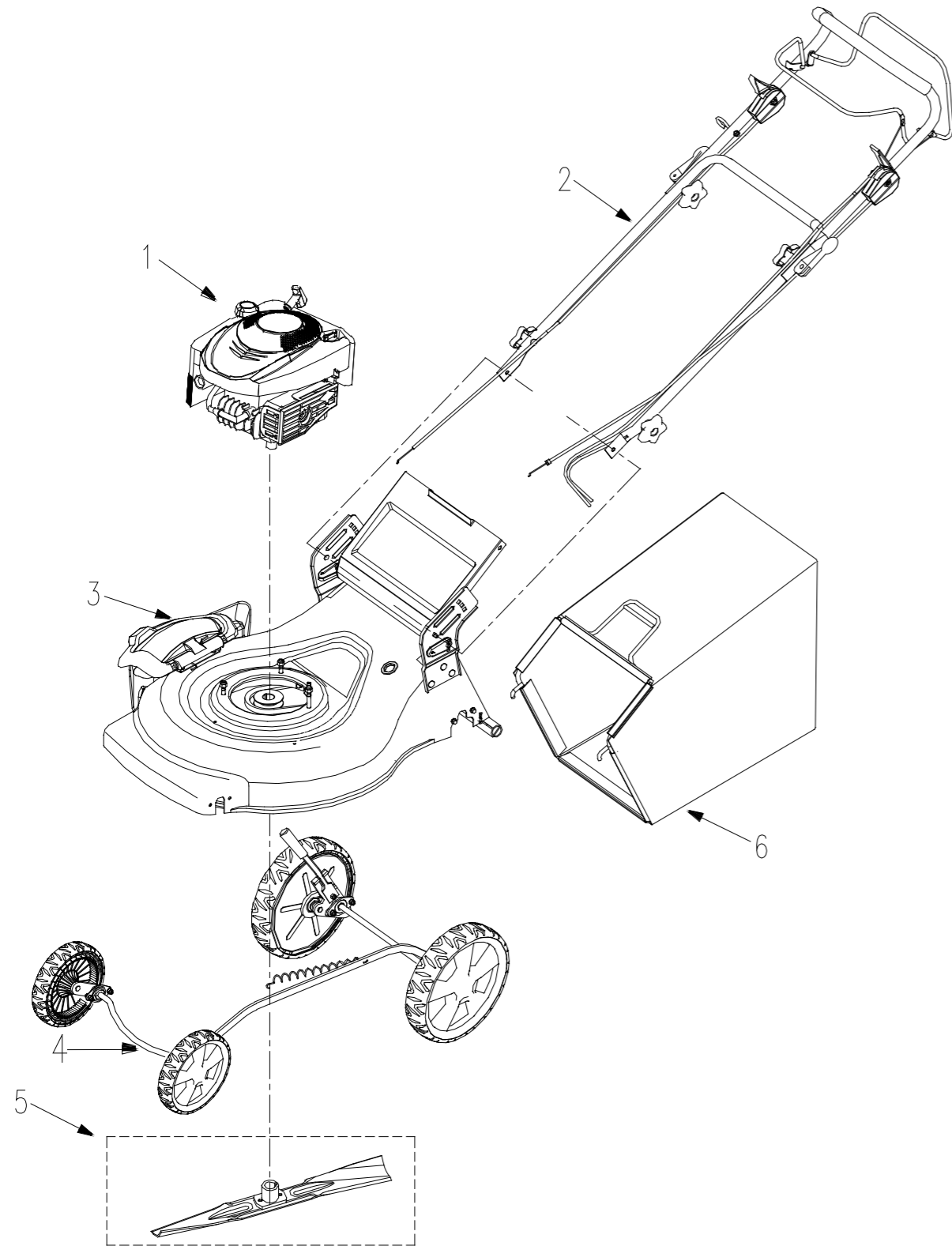
PARTS LIST BOOK



Lawn Mower

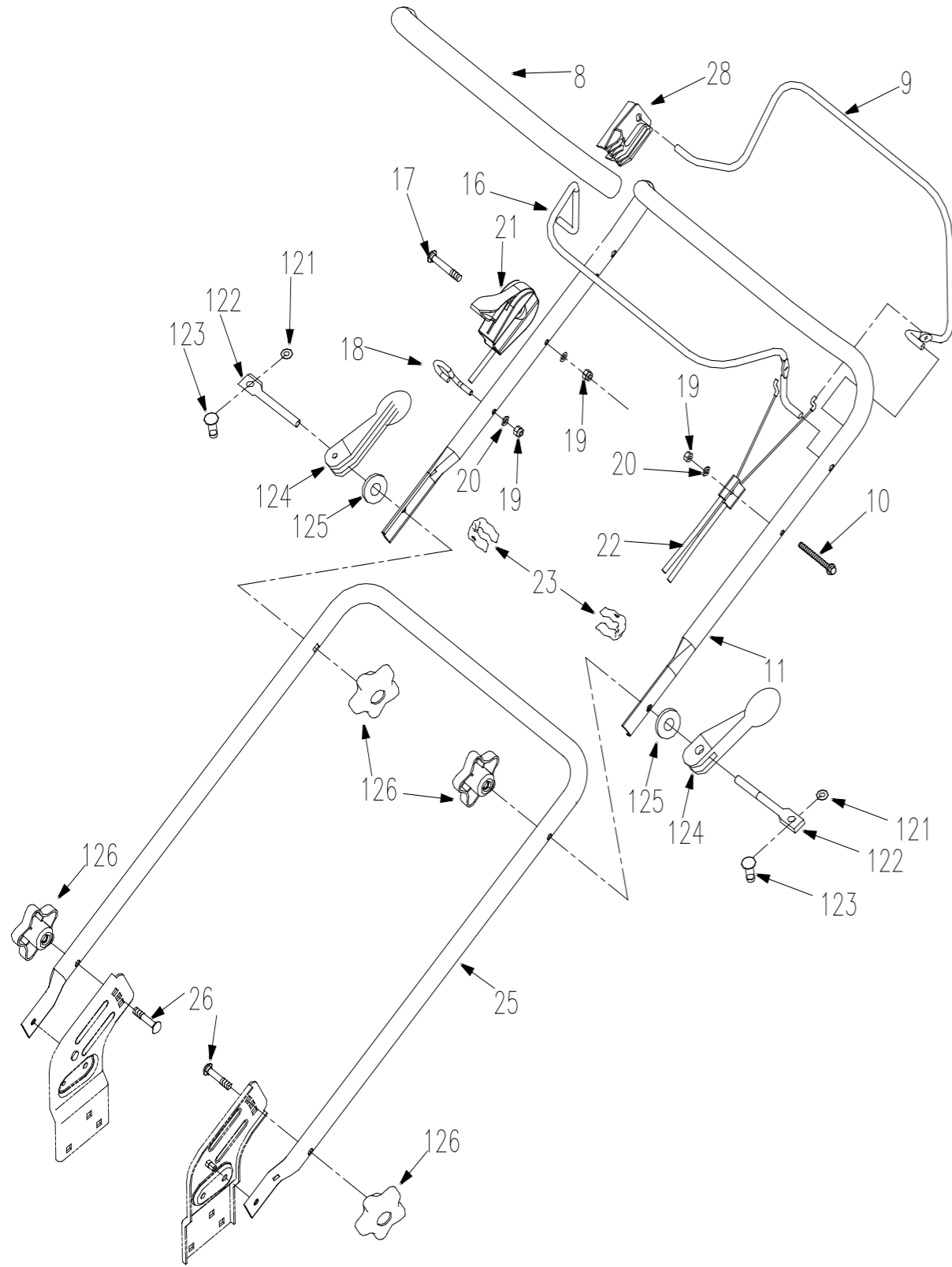
GTM560 SP1 SC H

www.gtmprofessional.com



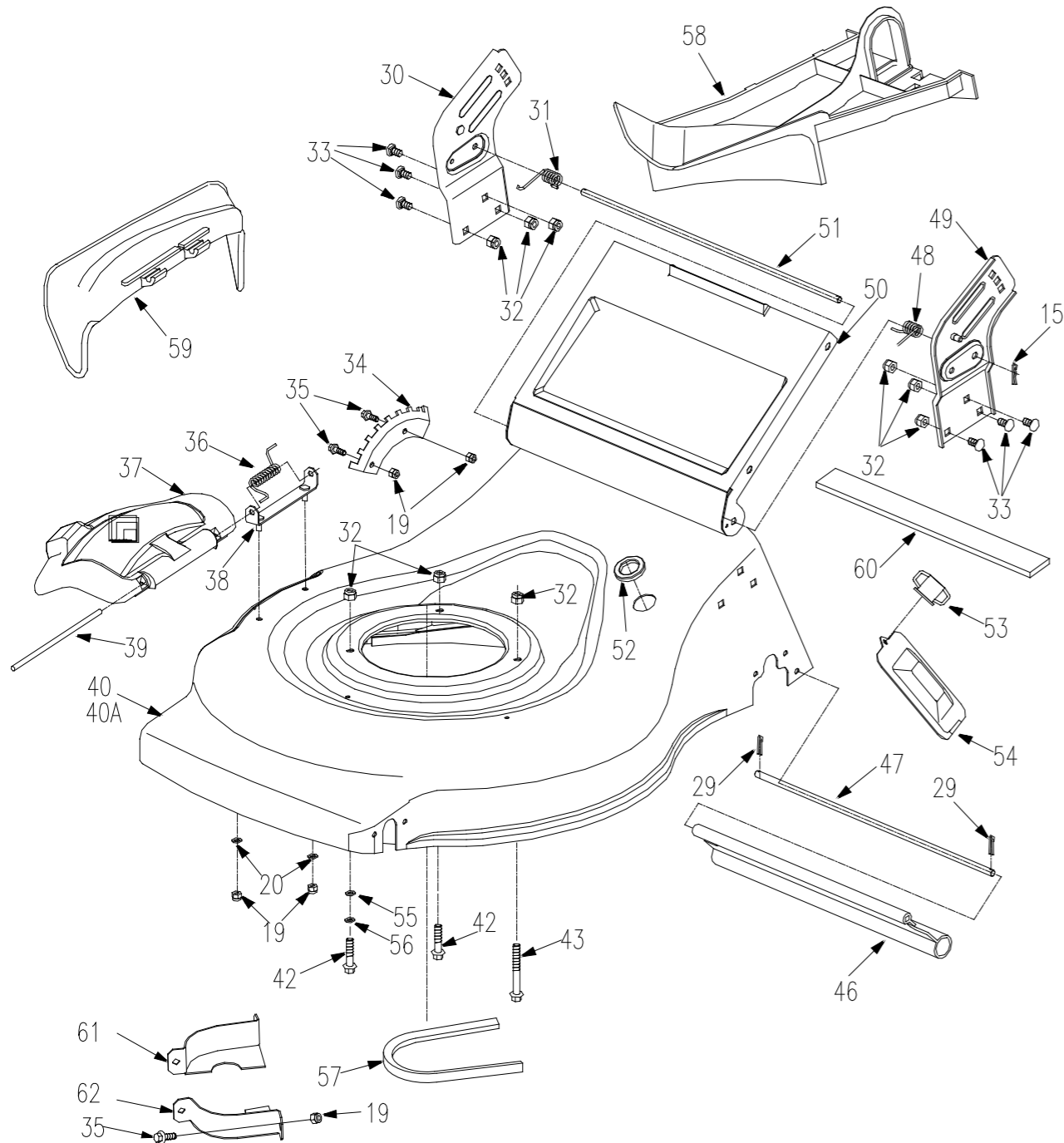
A.	Mower assembly.....	2
B.	Handlebar & console	4
C.	Mower deck assembly.....	6
D.	Drive assembly	8
E.	Blade assembly	10
F.	Grass bag assembly.....	12

B. HANDLEBAR & CONSOLE



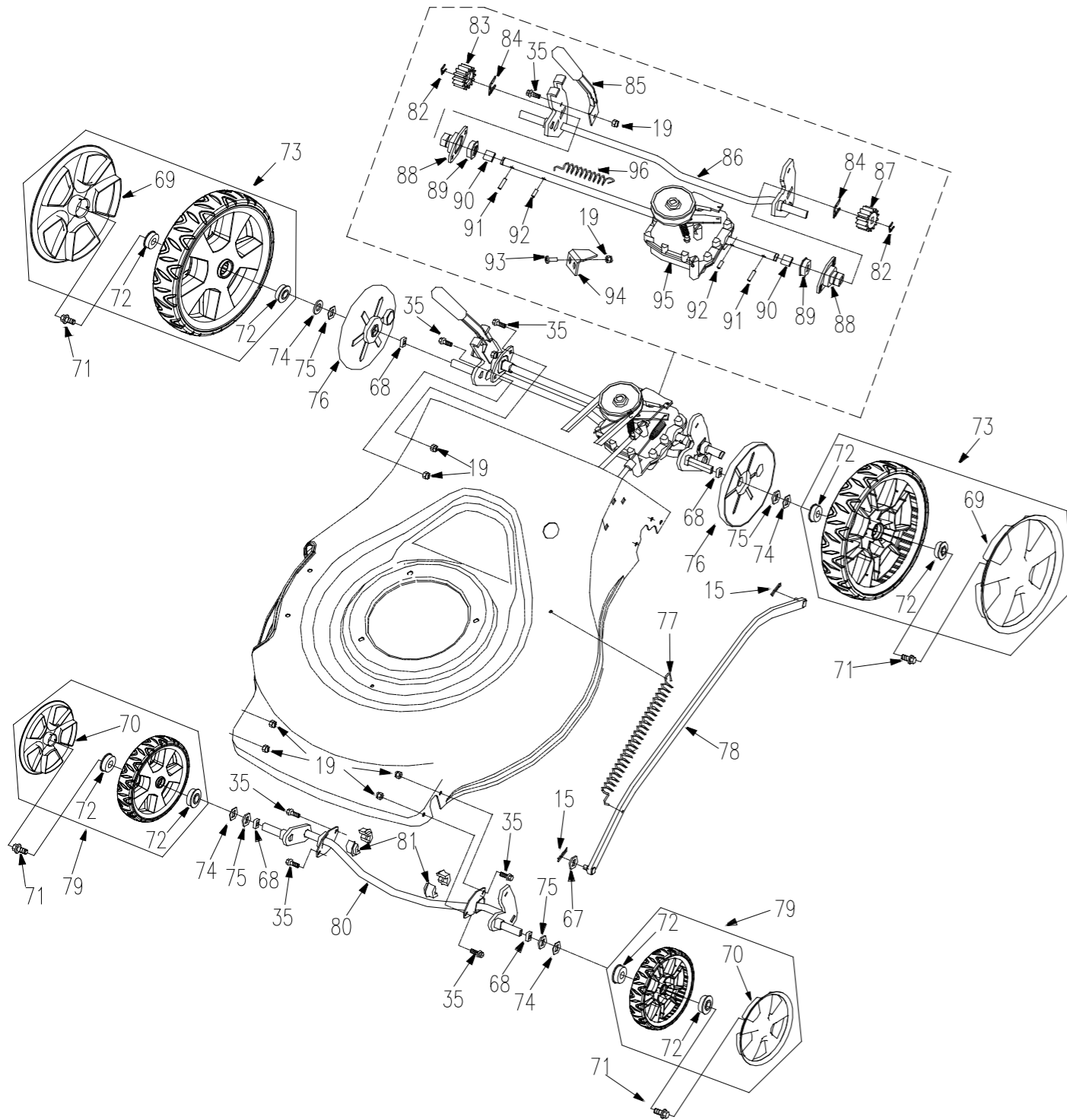
PARTNR.	ARTICLE NUMBER	NAME	QTY
8	MZ500H2011307	handle grip	1
9	MZ5602203201	drive clutch lever	1
10	MZ560B5787-640	hex hd. flange bolt M6 x 40 mm	1
11	MZ5602203031	upper handle	1
16	MZ5602203101	flywheel brake lever	1
17	MZ560B5787-650	hex hd. flange bolt M6 x 50 mm	1
18	MZ560WORD18.6-05	rope guide	1
19	MZEB6182-6	nylon insert lock nut M6 mm	11
20	MZ500HB97.1-6	flat washer 6 mm	3
21	MZ5602215500	throttle control assembly	1
22	MZ5602203347	cable unit	1
23	MZ500H2011031	cable clamp	2
25	MZ5602203032	lower handle	1
26	MZ450B801-840	square neck bolt M8 x 40 mm	2
28	MZ5602203003	bracket	1
121	MZ500HB/T896-5	e-chip 5	2
122	MZ500H2003021	screw	2
123	MZ500H2003023	axle pin	2
124	MZ500H2003024	quick fix handle	2
125	MZ5352003022	washer	2
126	MZ560XSZ56-1-09	knob nut M8	4

C. MOWER DECK ASSEMBLY



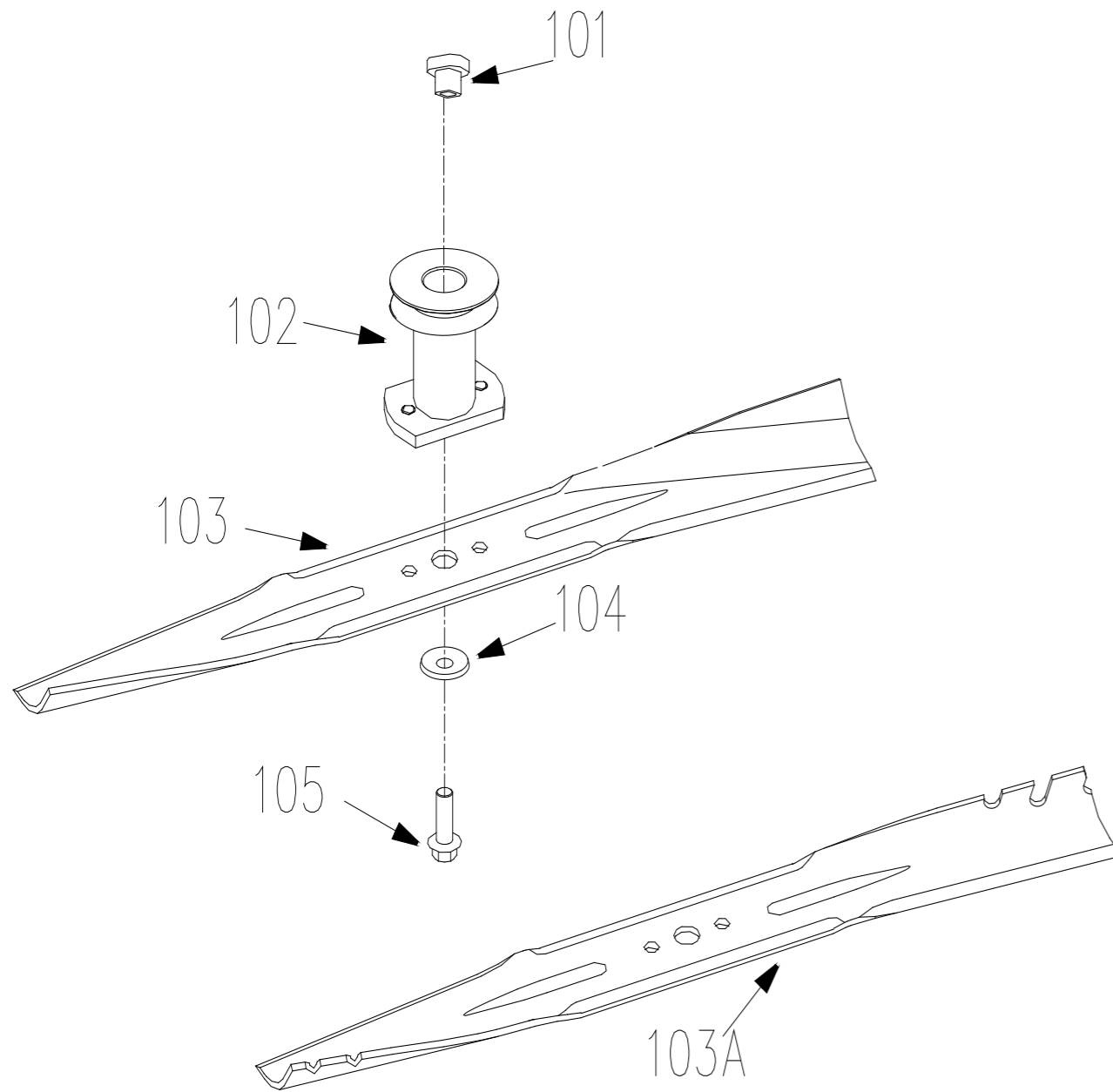
PARTNR.	ARTICLE NUMBER	NAME	QTY
15	MZ892131080002	hair pin	2
19	MZEB6182-6	nylon insert lock nut M6 mm	11
20	MZ500HB97.1-6	flat washer 6 mm	3
29	MZ500B91-220	hair pin	2
30	MZ500H2205000A	right bracket	1
31	MZ5602200003A	torsion spring, right	1
32	MZ535B6182-8	nylon insert lock nut M8 mm	9
33	MZEB801-816	square neck bolt M8 x 16 mm	6
34	MZ5602200052A	height adjustment rack	1
35	MZEB5787-616	hex hd. flange bolt M6 x 16 mm	9
36	MZ5602200021	torsion spring	1
37	MZ5602200016	mulch cover	1
38	MZ5602213000	mounting bracket	1
39	MZ5602200019	pivot shaft	1
40	MZ5602208040	mower deck	1
42	MZEB5787-835	hex hd. flange bolt M8 x 35 mm	2
43	MZEB5787-865	hex hd. flange bolt M8 x 65 mm	1
46	MZ450XSS46-15	rear guard	1
47	MZ5602200006	rod, rear guard	1
48	MZ5602200002	torsion spring, left	1
49	MZ5602204000A	left bracket	1
50	MZ5602200004	rear cover	1
51	MZ5602200001A	rod, rear cover	1
52	MZ5004LZ2.16.4-04	rubber ring	1
53	MZ5302100012	wing nut	1
54	MZ500H2008011	baffle	1
55	MZ460B97.1-8	flat washer 6	1
56	MZ560B93-8	flat washer 8	1
57	MZ500H2200056	v-belt A813	1
58	MZ5602200054	mulching plug	1
59	MZ5602200017	side discharge chute	1
60	MZ5602200036	rubber 3 x 25 x 360	1
61	MZ500H2200058	belt cover, right	1
62	MZ500H2200057	belt cover, left	1

D. DRIVE ASSEMBLY



PARTNR.	ARTICLE NUMBER	NAME	QTY
15	MZ892131080002	hair pin	2
19	MZEB6182-6	nylon insert lock nut M6 mm	11
35	MZEB5787-616	hex hd. flange bolt M6 x 16 mm	9
67	MZ5602000086	spacer	1
68	MZ500H2007401	bushing	4
69	MZ500H01111N	wheel cap white	2
70	MZ500H00801N	wheel cap white	2
71	MZEB5787-816	bolt M8 x 16 mm	4
72	MZ5602201002	wheel bearing 1/2"	8
73	MZ500H01110N	11" rear wheel white	2
74	MZ500B97.1-12	flat washer 12 mm	4
75	MZ500B955-12	wave spring washer	4
76	MZ500H0110001	cover	2
77	MZ500H2200053	tension spring	1
78	MZ5602202030	haul shank seam	1
79	MZ500H00800N	8" wheel white	2
80	MZ5602209030	front shaft assembly	1
81	MZ450WORD18-01	nylon bearing	2
82	MZ500B896-9	e-clip 9 mm	2
83	MZ5602200033	pinion gear, right	1
84	MZ560XSZ56-2-06	e-clip 19 mm	2
85	MZ5602207200	cutting height adjustment lever	1
86	MZ5602207031A	rear axle assembly	1
87	MZ5002200032	pinion gear, left	1
88	MZ5602207002	bearing housing	2
89	MZ5602207003	bearing	2
90	MZ5602207001	bronze bushing	2
91	MZ560XSZ56-2-08	roll pin	2
92	MZ500HB879-516	spring pin 5 x 16 mm	2
93	MZ560B818-614	phillips pan hd. screw M6 x 14 mm	1
94	MZ5602200055	anti rotation bracket	1
95	MZ5602222000	transmission	1
96	MZ5692021015	outside spring transmission	1

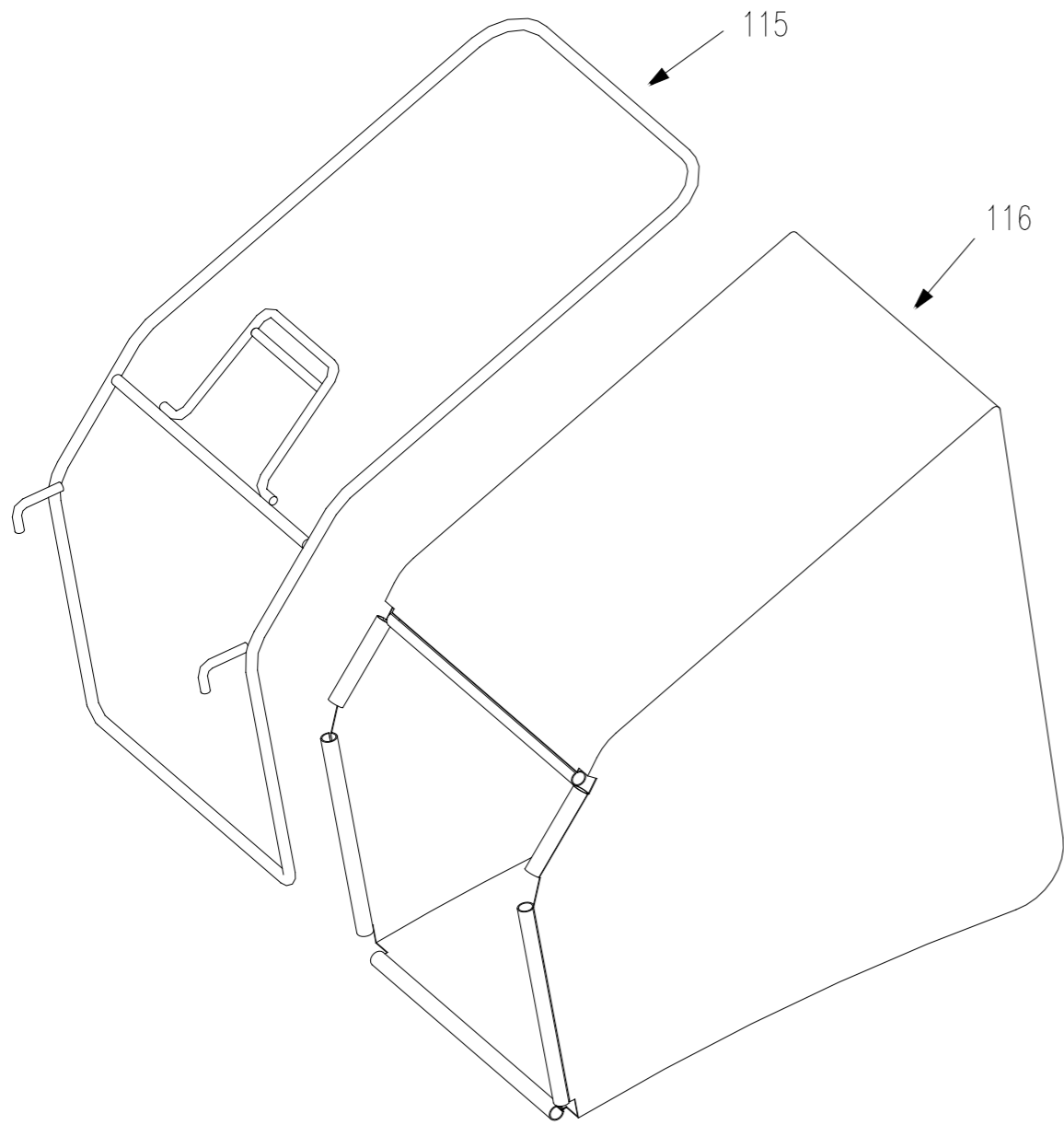
E. BLADE ASSEMBLY



PARTNR.	ARTICLE NUMBER	NAME	QTY
101	MZ5352019001	blade connect bush	1
102	MZ5602200100	blade adapter 25 mm	1
or	MZ500H2012100D	blade adapter 22.2 mm B&S675 2018	1
103	MZ560XSZ56-2-04	blade	1
103A	MZ5602200039B	mulching blade	1
104	MZ560XSZ56-2-17	blade washer	1
105	MZ5602200010	bolt	1

F. GRASS BAG ASSEMBLY

PARTNR.	ARTICLE NUMBER	NAME	QTY
115	MZ5602206100	bag frame	1
116	MZ5602206200	fabric bag	1



GTM
PROFESSIONAL®

www.gtmprofessional.com