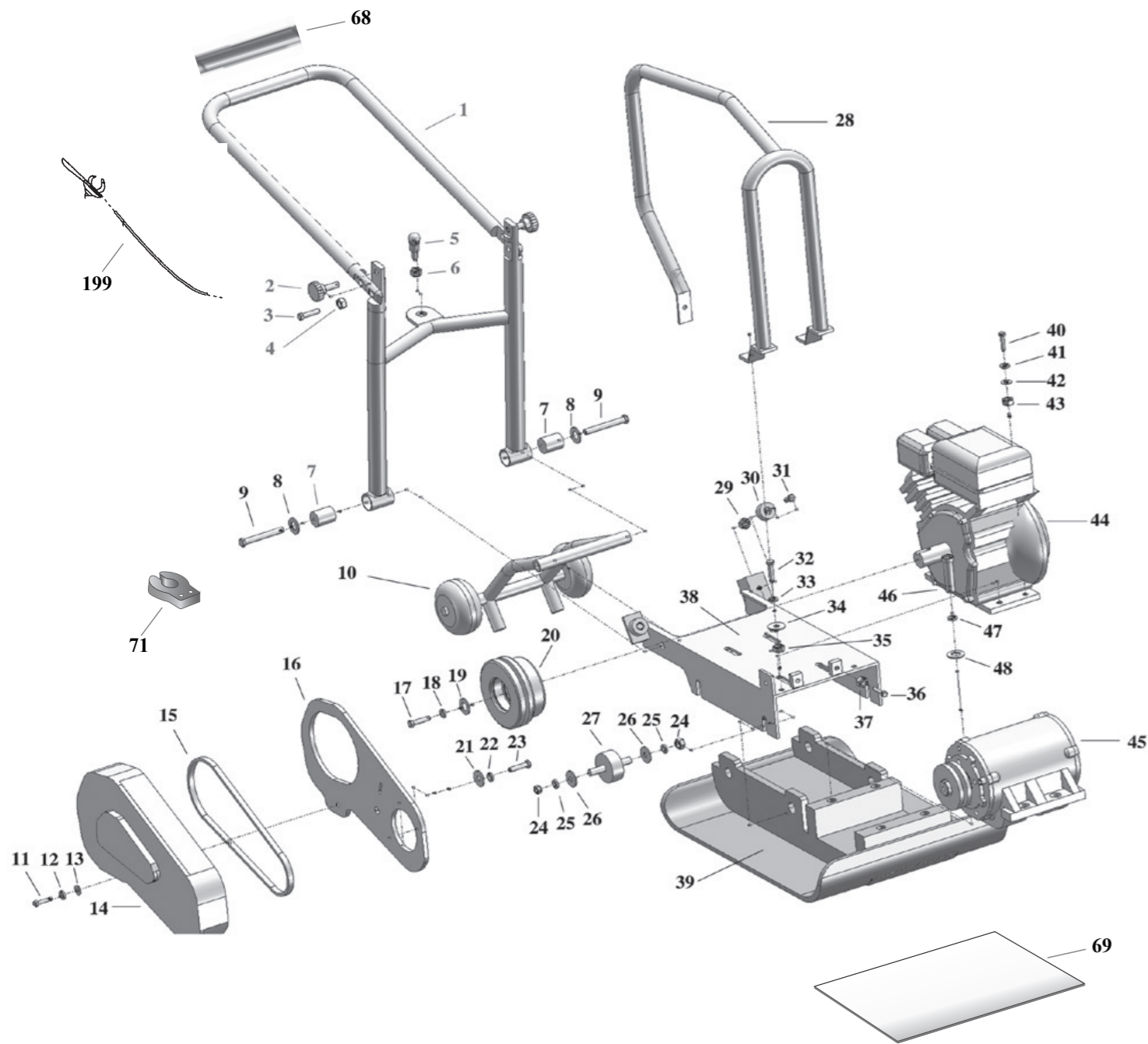
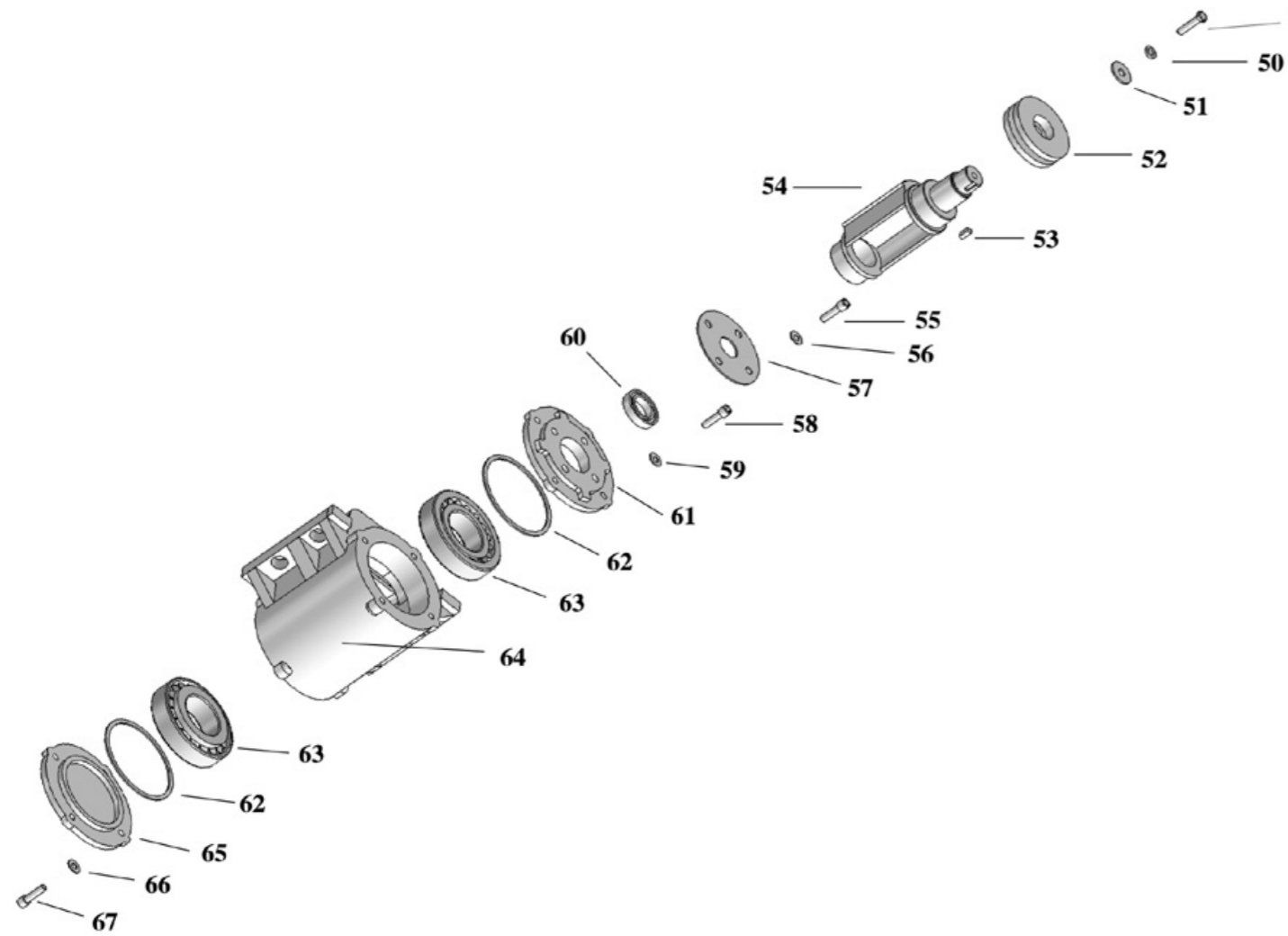


Spare Parts Drawings and Lists GTPC360





| PARTNR. | ARTICLE NUMBER | NAME | QTY |
|---------|----------------|------------------------|-----|
| 1 | MZTPC600001 | handle | 1 |
| 2 | MZTPC600002 | hexagonal pin M10 x 30 | 2 |
| 3 | MZTPC600003 | fixed bolt M10 x 35 | 2 |
| 4 | MZTPC600004 | fixed nut M10 | 2 |
| 5 | MZTPC600005 | fixed pin | 1 |
| 6 | MZTPC600006 | nut M18 | 1 |
| 7 | MZTPC600007 | rubber Block | 2 |
| 8 | MZTPC600008 | washer Ø 12 | 2 |
| 9 | MZTPC600009 | bolt M12X65 | 2 |
| 10 | MZTPC600010 | wheel support | 1 |
| 11 | MZTPC600011 | bolt M8X20 | 1 |
| 12 | MZTPC600012 | spring washer Ø 8 | 1 |
| 13 | MZTPC600013 | washer Ø 8 | 1 |
| 14 | MZTPC600014 | belt cover | 1 |
| 15 | MZTPC600015 | v-belt B710 | 1 |
| 16 | MZTPC600016 | inside belt cover | 1 |
| 17 | MZTPC600017 | bolt M10 x 20 | 1 |
| 18 | MZTPC600018 | spring washer Ø 10 | 1 |
| 19 | MZTPC600019 | sasher Ø 10 | 1 |
| 20 | MZTPC600020 | clutch pulley assembly | 1 |
| 21 | MZTPC600021 | washer Ø 8 | 1 |
| 22 | MZTPC600022 | spring washer Ø 8 | 1 |
| 23 | MZTPC600023 | bolt M8 x 15 | 1 |
| 24 | MZTPC600024 | fixed nut M10 | 8 |
| 25 | MZTPC600025 | spring washer Ø 10 | 8 |
| 26 | MZTPC600026 | washer Ø 10 | 8 |
| 27 | MZTPC600027 | shock absorber | 4 |
| 28 | MZTPC600028 | guard frame | 1 |
| 29 | MZTPC600029 | fixed nut M8 | 2 |
| 30 | MZTPC600030 | rubber reel | 2 |
| 31 | MZTPC600031 | bolt M8 x 15 | 2 |
| 32 | MZTPC600032 | bolt M8 x 35 | 2 |
| 33 | MZTPC600033 | spring washer Ø 8 | 2 |
| 34 | MZTPC600034 | washer Ø 8 | 2 |
| 35 | MZTPC600035 | fixed nut M8 | 2 |
| 36 | MZTPC600036 | bolt M8 x 40 | 2 |
| 37 | MZTPC600037 | nut M8 | 2 |
| 38 | MZTPC600038 | engine mounting plate | 1 |
| 39 | MZTPC600039 | base plate | 1 |
| 40 | MZTPC600040 | bolt M8 x 45 | 4 |
| 41 | MZTPC600041 | spring washer Ø 8 | 4 |
| 42 | MZTPC600042 | washer Ø 8 | 4 |
| 43 | MZTPC600043 | fixed nut M8 | 4 |
| 44 | MZTPC600044 | engine | 1 |
| 45 | MZTPC600045 | vibrator assembly | 1 |
| 46 | MZTPC600046 | bolt M16 x 45 | 4 |
| 47 | MZTPC600047 | spring washer Ø 16 | 4 |
| 48 | MZTPC600048 | washer Ø 16 | 4 |



| PARTNR. | ARTICLE NUMBER | NAME | QTY |
|---------|----------------|---------------------------|-----|
| 49 | MZTPC600049 | bolt M10 x 25 | 1 |
| 50 | MZTPC600050 | spring washer Ø 10 | 1 |
| 51 | MZTPC600051 | washer Ø 10 | 1 |
| 52 | MZTPC600052 | pulley Ø 85 | 1 |
| 53 | MZTPC600053 | key 8X20 | 1 |
| 54 | MZTPC600054 | eccentric rotator | 1 |
| 55 | MZTPC600055 | bolt M6 x 15 | 1 |
| 56 | MZTPC600056 | washer Ø 6 | 1 |
| 57 | MZTPC600057 | cover sheet | 1 |
| 58 | MZTPC600058 | bolt M8 x 20 | 4 |
| 59 | MZTPC600059 | spring washer Ø 8 | 4 |
| 60 | MZTPC600060 | oil seal TTO 35 x 48 x 10 | 1 |
| 61 | MZTPC600061 | case cover (L) | 1 |
| 62 | MZTPC600062 | o-ring Ø 100x3.1 | 2 |
| 63 | MZTPC600063 | bearing 6211 | 2 |
| 64 | MZTPC600064 | vibrating case | 1 |
| 65 | MZTPC600065 | case cover (R) | 1 |
| 66 | MZTPC600066 | washer Ø 8 | 4 |
| 67 | MZTPC600067 | bolt M8X25 | 4 |
| 68 | MZTPC600068 | rubber for handle | 1 |
| 69 | MZTPC600069 | rubber mat | 1 |
| 71 | MZTPC600071 | wheel holder | 1 |
| 199 | MZTPC600199 | throttle cable and handle | 1 |

GTM
PROFESSIONAL®

www.gtmprofessional.com