

884560 WB500EH



Dokumente

884560 WB500EH

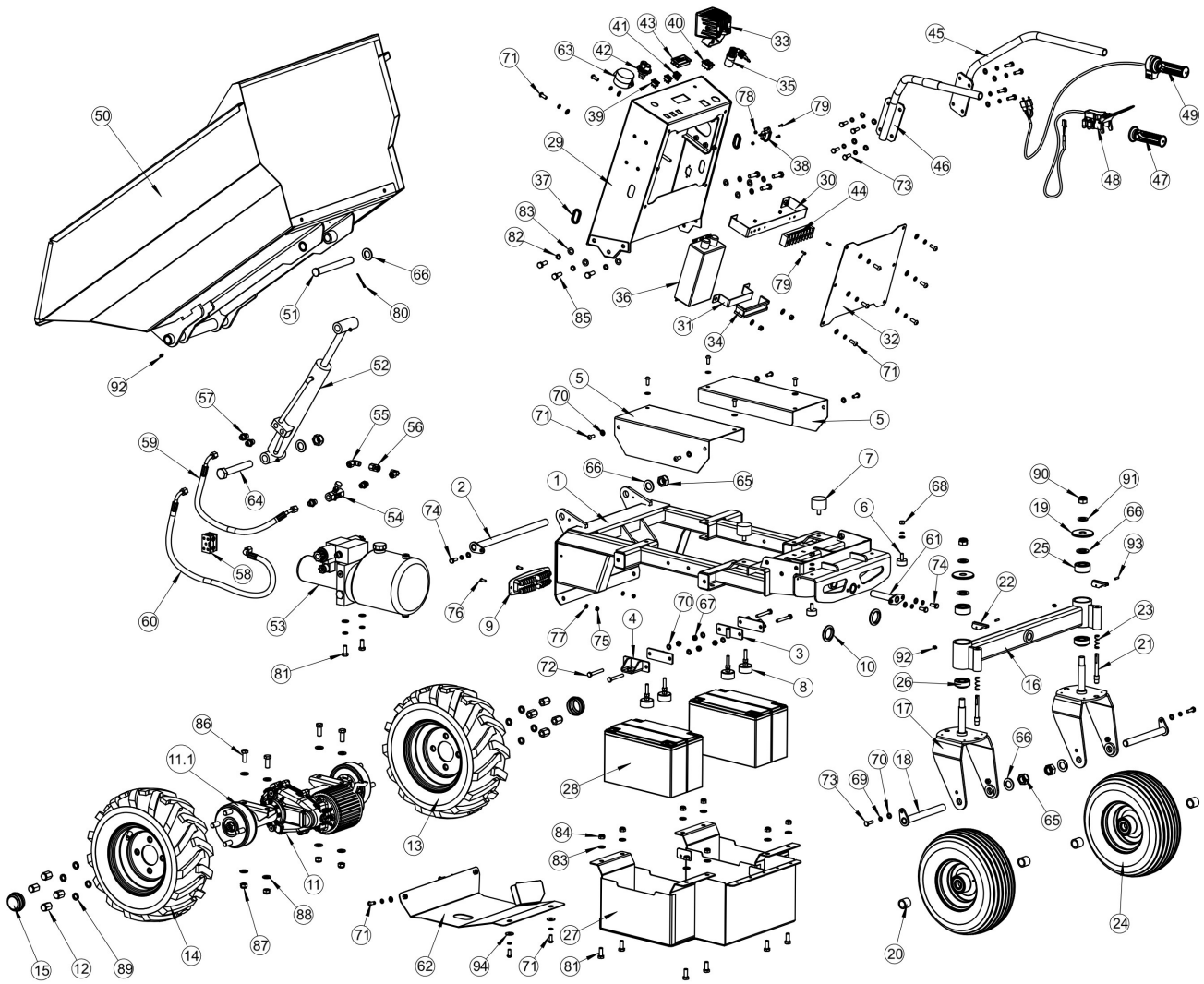


Illustration 884560 WB500EH

Nummer	Antal	Kode	Beskrivelse	Bemærkninger
1	1	WB500EH-01	CHASSIS	
2	1	WB500EH-02	TIPPING BUCKET SHAFT	
3	2	WB500EH-03	BATTERY PACK ELEMENT	
4	2	WB500EH-04	BATTERY PACK ELEMENT	
5	2	WB500EH-05	BATTERY COVER	
6	2	WB500EH-06	RUBBER SHOCK PAD	
7	2	WB500EH-07	RUBBER MAT	
8	4	WB500EH-08	RUBBER MAT	
9	1	WB500EH-09	LED LIGHT	
10	2	WB500EH-10	PROTECTIVE RING	
11	1	WB500EH-11	TRANSAXLE	
11.1	1	WB500EB-09-1		
12	8	WB500EH-12	WHEEL HUB NUT M14	
13	1	WB500EH-13	16X6.5-8 WHEEL	
14	1	WB500EH-14	16X6.5-8 WHEEL	
15	2	WB500EH-15	DUST CAP	
16	1	WB500EH-16	STEERING BEAM	
17	2	WB500EH-17	STEERING BRACKET	
18	2	WB500EH-18	WHEEL AXLE	
19	2	WB500EH-19	END CAP	
20	4	WB500EH-20	AXLE SLEEVE	
21	2	WB500EH-21	STEERING BRACKET PIN	
22	2	WB500EH-22	CAM HANDLE	
23	2	WB500EH-23	SPRING	
24	2	WB500EH-24	13X5.00-6 WHEEL	
25	2	WB500EH-25	BEARING 3204-2RS	
26	2	WB500EH-26	BEARING 32204	
27	1	WB500EH-27	BATTERY PACK	
28	4	WB500EH-28	32AH 12V BATTERY	
29	1	WB500EH-29	CONTROL CONSOLE	
30	1	WB500EH-30	TERMINAL BOARD	
31	1	WB500EH-31	CONTROLLER FIXED PLATE	
32	1	WB500EH-32	CONTROLLER COVER PLATE	
33	1	WB500EH-33	LED LIGHT	
34	1	WB500EH-34	RUBBER STRAP	
35	1	WB500EH-35	ELECTRIC LOCK	
36	1	WB500EH-36	CONTROLLER	
36	1	WB500EH-36-O		
37	2	WB500EH-37	PROTECTIVE RING	
38	1	WB500EH-38	DUMP BOX CONTROL SWITCH	
39	2	WB500EH-39	ROCKER SWITCH FOR LIGHT	
40	1	WB500EH-40	ROCKER SWITCH 6 PIN 3 POSITION	
41	1	WB500EH-41	ROCKER SWITCH 3 POSITION	
42	1	WB500EH-42	POWER SWITCH 50A	

Illustration 884560 WB500EH

Nummer	Antal	Kode	Beskrivelse	Bemærkninger
43	1	WB500EH-43	VOLTMETER	
44	1	WB500EH-44	TB 6008 LINE BANK	
45	1	WB500EH-45	HANDLE BAR RIGHT	
46	1	WB500EH-46	HANDLE BAR LEFT	
47	1	WB500EH-47	GRIP	
48	1	WB500EH-48	SAFETY CONTROL HANDLE	
49	1	WB500EH-49	THROTTLE HANDLE	
50	1	WB500EH-50	DUMPER BOX	
51	1	WB500EH-51	UPPER CONNECTION SHAFT	
52	1	WB500EH-52	HYDRAULIC CYLINDER	
53	1	WB500EH-53	HYDRAULIC POWER UNIT	
54	1	WB500EH-54	THROTTLE VALVE	
55	2	WB500EH-55	TRANSIT JOINT 2C9-14	
56	1	WB500EH-56	TRANSIT JOINT 3C-14	
57	4	WB500EH-57	TRANSIT JOINT 1CM-14WD	
58	1	WB500EH-58	PIPE CLAMP	
59	1	WB500EH-59	HYDRAULIC HOSE 1	
60	1	WB500EH-60	HYDRAULIC HOSE 2	
61	1	WB500EH-61	HEX BOLT M20×130	
62	1	WB500EH-62	HEX BOLT M20×130	
63	1	WB500EH-63	HEX NUT M20	
64	4	WB500EH-64	HEX LOCK NUT M20	
65	7	WB500EH-65	FLAT WASHER 20	
66	6	WB500EH-66	HEX LOCK NUT M8	
67	2	WB500EH-67	HEX NUT M8	
68	21	WB500EH-68	SPRING WASHER 8	
69	35	WB500EH-69	FLAT WASHER 8	
70	16	WB500EH-70	HEX SOCKET SCREW M8×20	
71	4	WB500EH-71	HEX BOLT M8×60	
72	10	WB500EH-72	HEX BOLT M8×25	
73	1	WB500EH-73	HEX BOLT M8×20	
74	2	WB500EH-74	HEX LOCK NUT M6	
75	2	WB500EH-75	HEX SOCKET SCREW M6×16	
76	2	WB500EH-76	FLAT WASHER 6	
77	4	WB500EH-77	HEX LOCK NUT M4	
78	4	WB500EH-78	HEX SOCKET SCREW M4×12	
79	1	WB500EH-79	COTTER PIN 4×36	
80	1	WB500EH-80	COTTER PIN 4×45	
81	10	WB500EH-81	HEX BOLT M10×25	
82	8	WB500EH-82	SPRING WASHER 10	
83	16	WB500EH-83	FLAT WASHER 10	
84	8	WB500EH-84	HEX LOCK NUT M10	
85	6	WB500EH-85	HEX BOLT M10×30	
86	4	WB500EH-86	HEX BOLT M12×30	

Illustration 884560 WB500EH

Nummer	Antal	Kode	Beskrivelse	Bemærkninger
87	4	WB500EH-87	HEX LOCK NUT M12	
88	8	WB500EH-88	FLAT WASHER 12	
89	8	WB500EH-89	SPRING WASHER 14	
90	2	WB500EH-90	HEX LOCK NUT M16	
91	2	WB500EH-91	FLAT WASHER 16	
92	3	WB500EH-92	OIL FILLING CUP M6	
93	2	WB500EH-93	5X16	